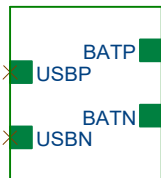


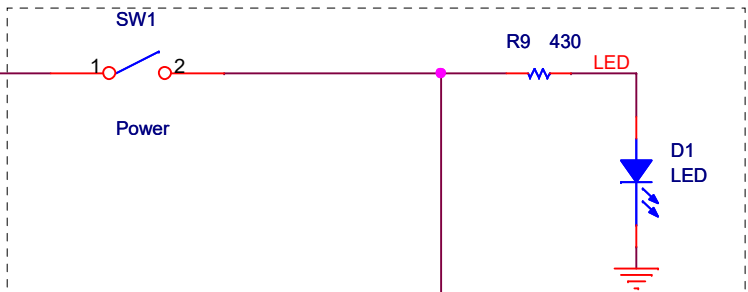
Node Voltages Vbatt = 4.5
 BATT 4.5
 A2 0.91
 A3 0.23
 A4 2.18
 A6 2.25
 A7 2.25
 A8 2.24
 A9 2.24

USBC1



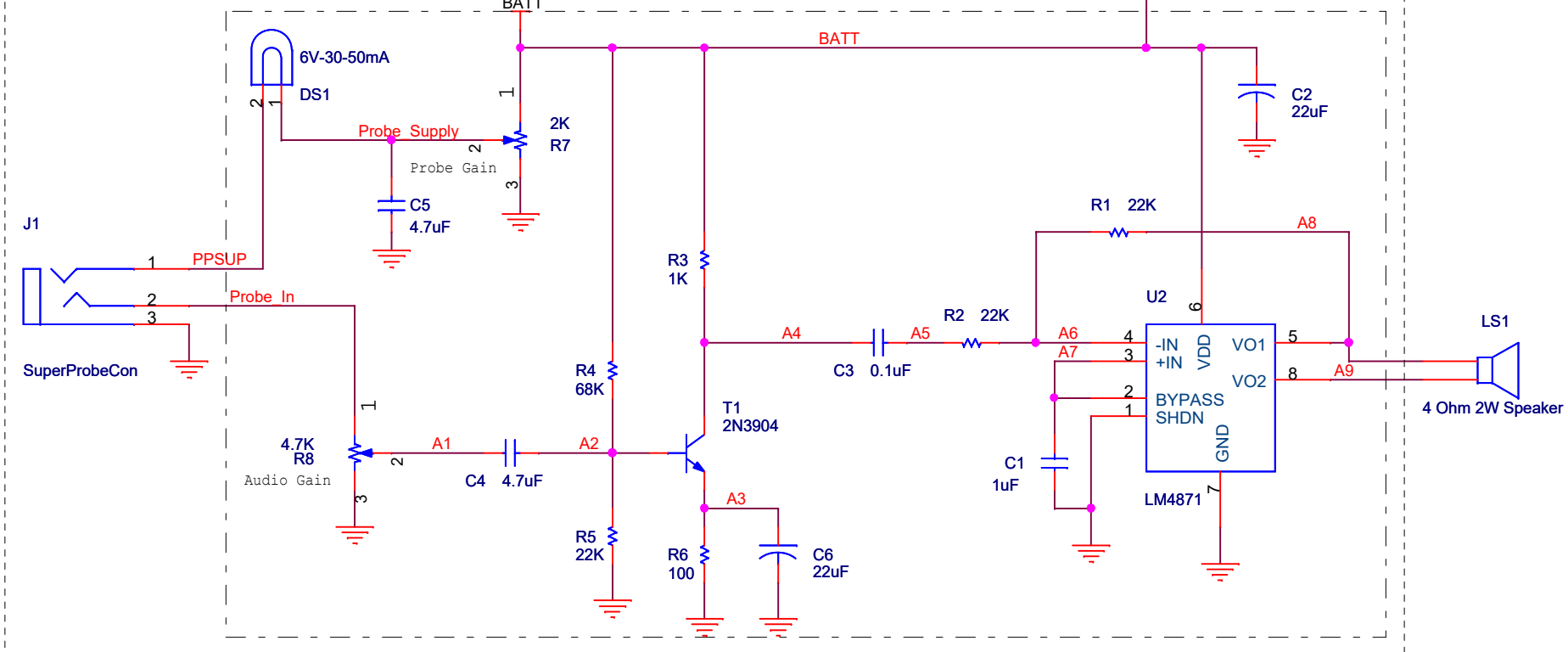
TP4056

Super Amp MK2 PCB Kit Parts



Optional Overload Lamp

Super Amp MK1 PCB Kit Parts



Title		
Mr Carlson's Super Amp & Li-Ion Power		
Size	Document Number	Rev
A	<Doc>	3.0
Date:	Thursday, August 31, 2023	Sheet 1 of 1