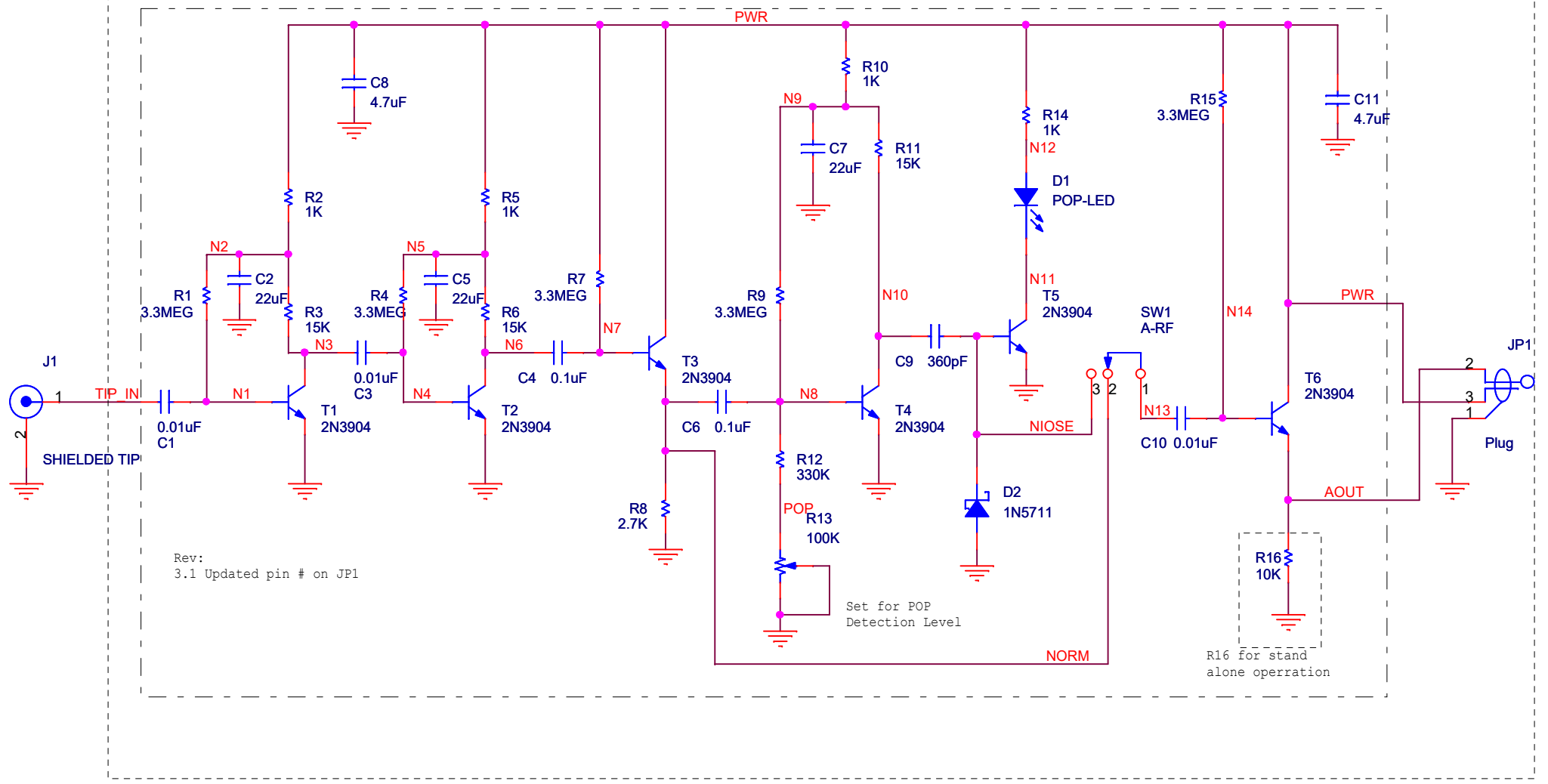


Super Probe MK2 PCB Kit Parts

Super Probe MK1 PCB Kit Parts



Title		
Mr Carlson's Super Probe		
Size	Document Number	Rev
A	<Doc>	v3.1
Date:	Wednesday, February 12, 2025	Sheet 1 of 1